

23" Narrow Shuttle Cart

Product No. 4012-000300-XX-00

RTS Retail



Make your customers' shopping experience enjoyable.

Providing an entertaining family experience will give you an advantage over the competition, maintaining top of mind awareness with your customer.

Lets face it - In today's marketplace, children have a great deal of influence on where their parents shop. Our narrow shuttle cart has been designed to fit through standard aisles and checkouts, maximizing maneuverability and control without compromising it's impact for shoppers. The shuttle body and dash are rotationally molded using commercial grade UV stabilized polyethylene resin.

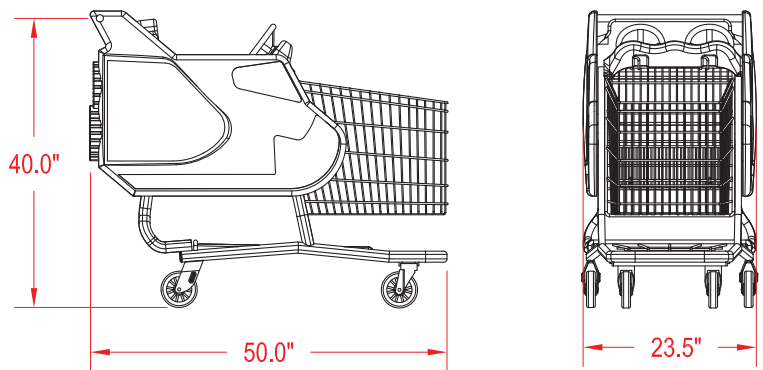
The chassis and basket are coated with a rust proof finish to increase durability. Total capacity of this shuttle is 9,000 cubic inches.

Designed to fit through standard aisles and checkouts. This compact, lightweight shuttle cart is designed for maximum maneuverability and control.

The shuttle body and dash is manufactured using commercial grade, UV stabilized polyethylene resin.

The cart features a large undercarriage with open sides for cashier observation, preventing hidden products, and minimizing costly inventory shrinkage and product loss.

The shuttle comes with high quality, durable graphics. Create brand/corporate awareness with customized graphics, available upon request.



Dimensions:

23" W x 40" H x 49" D | Capacity: 9,000 cu. in.

Standard Colors



Red



Orange



Yellow



Blue



Green



Tan



RTS Retail

1027 Industrial Place, P.O. Box 179
St. Clements, Ontario, Canada N0B 2M0
t. 519.699.0022 | 800.663.2803 f. 519.699.0027
www.rtsretail.ca | info@rtscompaniesinc.com